

1

2

3

4

5

6

A

A

B

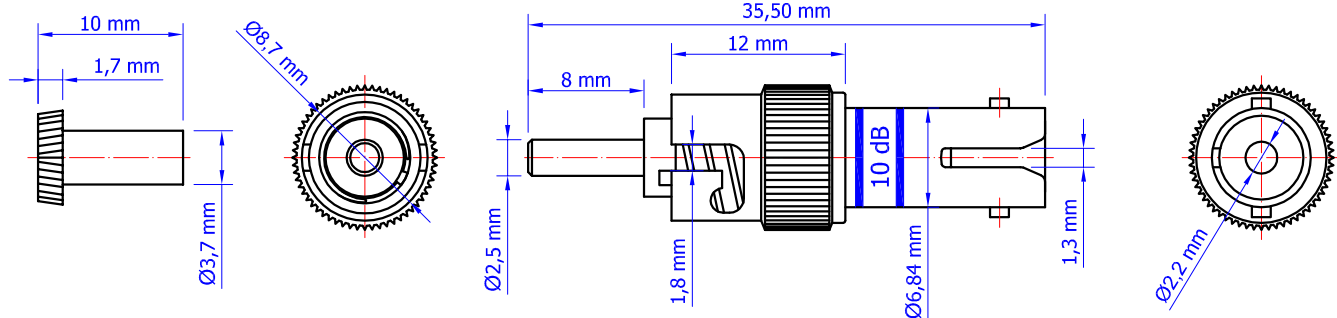
B

C


C

D

D



Form No: FR-01/004 İYT: 10/2003 Rev:06 09/01/2012

Date	06.12.2012	Rev.	Revision Detail			Rev.Dt.	Rev.by	Part No		
Designed by	N. CAVILDAK	-						ST/PC SX ATTENUATOR		
Checked by	M. YILMAZ									
								TTAF Code	Scale	Sheet No
								FO-0701MP4	2/1	1/1

1

2

3

4

5

6

A4