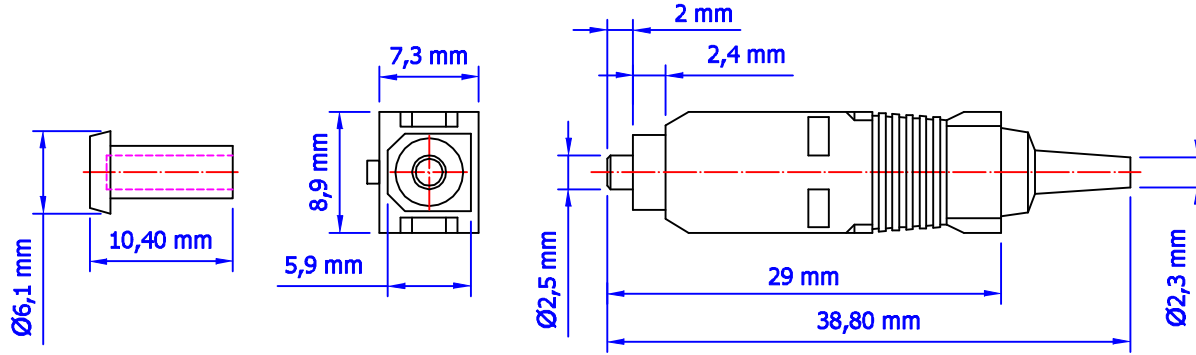


| VIEW | TOLERANCE | |
|----------|-----------|------|
| | 0-10 | ±1 |
| | 11-250 | ±5 |
| UNIT: mm | 251-500 | ±10 |
| | 501-1000 | ±20 |
| | 1001-3000 | ±50 |
| | 3001-5000 | ±100 |
| | 5001- > | ±150 |



| Date | 16.03.2016 | Rev. | - | Revision Detail | | Rev.Dt. | | Rev.by | | Part No | SC/PC SM SX CONNECTOR | | |
|-------------|---------------|------|---|-----------------|--|---------|--|--------|--|---------------|-----------------------|----------|--|
| Designed by | Yeşim AKSOY | | | | | | | | | Drawing Nr. | Scale | Sheet No | |
| Checked by | Mevlüt GÜRBÜZ | | | | | | | | | FO-0302SMP149 | NONE | 1/1 | |
| | | | | | | | | | | | | | |