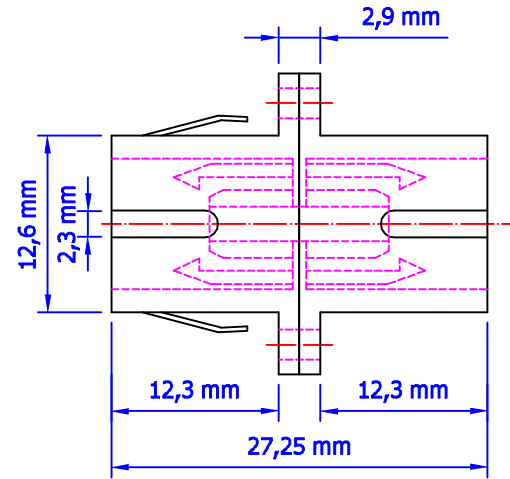
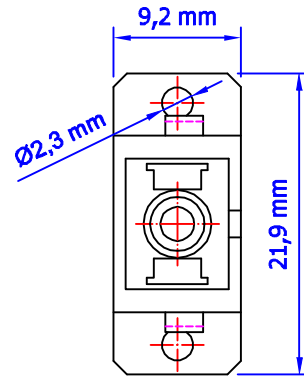


VIEW	TOLERANCE	
	0-10	±1
	11-250	±5
UNIT: mm	251-500	±10
	501-1000	±20
	1001-3000	±50
	3001-5000	±100
	5001- >	±150



Date	16.03.2016	Rev.	-	Revision Detail		Rev.Dt.		Rev.by		Part No	SC/PC MM SX PLASTIC ADAPTER		
Designed by	Yeşim AKSOY									Drawing Nr.	Scale	Sheet No	
Checked by	Mevlüt GÜRBÜZ									FO-06P21N1S01M	NONE	1/1	